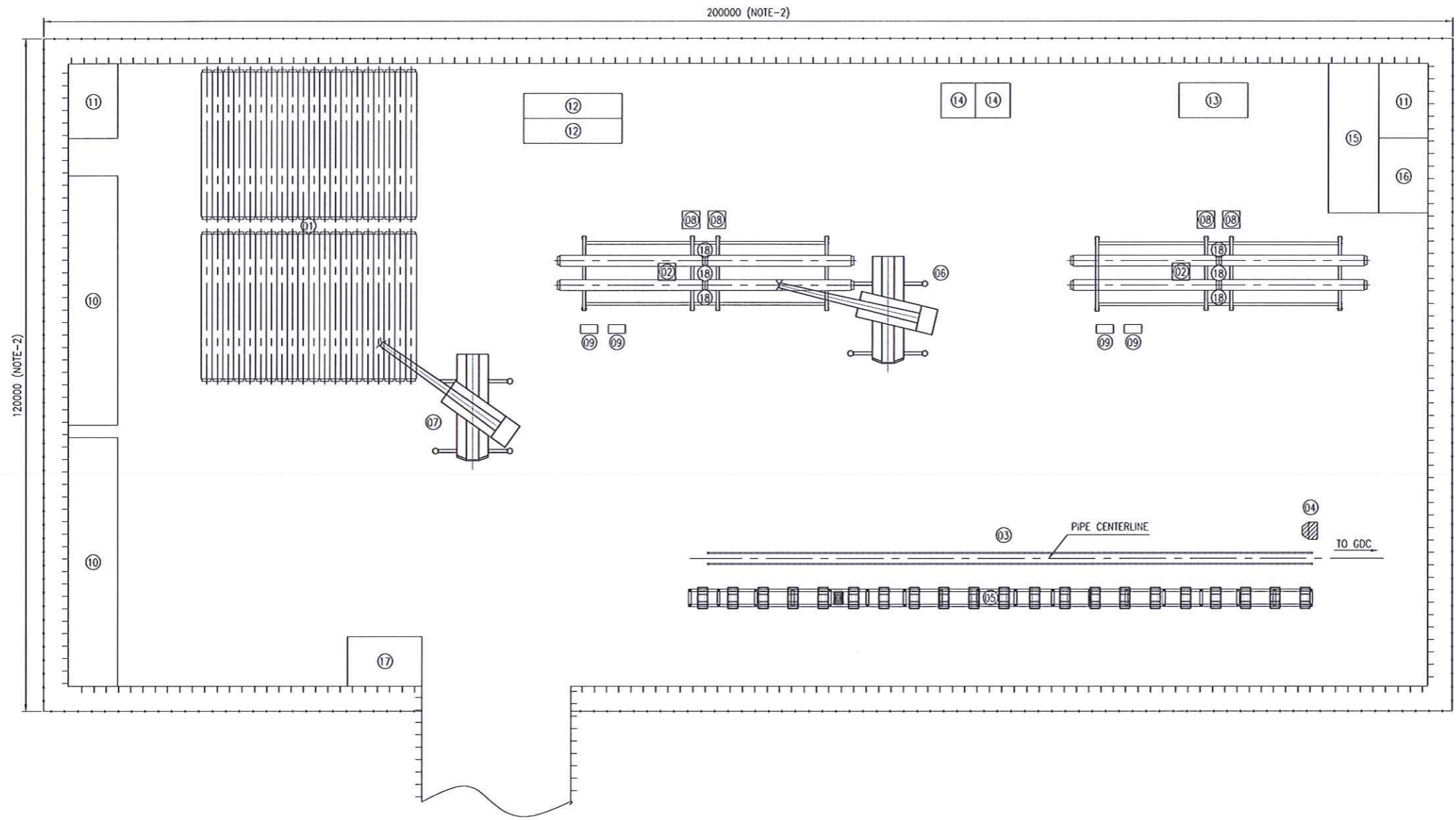


THIS DOCUMENT AND INFORMATION CONTAINED IN IT IS THE PROPERTY OF WP-PVE/ SWPOC AND MAY NOT BE EXPLOITED, USED, COPIED, DUPLICATED OR REPRODUCED IN ANY FORM OR MEDIUM WITHOUT THE PRIOR PERMISSION OF WP-PVE/ SWPOC.

CONSTRUCTION SITE TYPE 1 - SINGLE SITE



ITEM	DESCRIPTION	DIMENSION(METER)	UNIT	QUANTITY	REMARKS
01	PIPE YARD	13.0 X 20.0	PCS	01	
02	COMBINATION BEARER	6.0 X 20.0	PCS	02	
03	RAIL WAY	1.0 X 80.0	PCS	01	
04	WINCH	1.0 X 1.0	PCS	01	
05	BARRELS	0.8 X 0.595	PCS	3,500	
06	CRAWLER CRANE 55T-60T	4.53 X 7.47	PCS	01	
07	CRAWLER CRANE 35T	4.53 X 7.47	PCS	01	
08	WELDING MACHINE 6 BRAZING TONGS	1.8 X 2.4	PCS	04	
09	WELDING MACHINE 1 BRAZING TONG	1.2 X 2.0	PCS	04	

ITEM	DESCRIPTION	DIMENSION(METER)	UNIT	QUANTITY	REMARKS
10	OFFICE CONTAINER	2.4 X 12.0	PCS	02	
11	TOILET	2.4 X 3.0	PCS	02	
12	STORE CONTAINER	2.4 X 6.0	PCS	02	
13	GENERATOR 250 KVA	2.5 X 2.5	PCS	01	
14	CONSUMABLE DRIER	2.0 X 2.0	PCS	02	
15	TENT FOR SHELTERING FROM THE RAIN	4.0 X 12.0	PCS	01	
16	FIRST AID STATION	2.4 X 6.0	PCS	01	
17	GUARD HOUSE	2.0 X 2.0	PCS	01	
18	WELDING HUTCH	3.0 X 3.0	PCS	06	

- NOTES:**
1. ALL DIMENSION ARE IN MILLIMETER, UNLESS OTHERWISE SPECIFIED.
 2. THIS DRAWING IS PRELIMINARY, THE ONSHORE PIPELINE CONSTRUCTION CONTRACTOR SHALL DEVELOP DETAIL ENGINEERING PRIOR TO COMMENCE PIPELINE CONSTRUCTION AND INSTALLATION.
 3. THE CONSTRUCTION CONTRACTOR SHALL PREPARE THE CONSTRUCTION PLAN AND SUBMIT TO EPC CONTRACTOR/ SWPOC FOR REVIEW AND APPROVAL.
 4. THIS DRAWING SHALL BE READ IN CONJUNCTION WITH SPECIFICATION FOR ONSHORE PIPELINE CONSTRUCTION (DOC NO.: SWG-WPPVE-FEED-70-PL-SPC-0008).
 5. THE PIPE CLAMP IS SHOWN FOR REFERENCE ONLY. THIS ITEM SHALL BE ENGINEERED BY THE PIPELINE CONSTRUCTION CONTRACTOR.
 6. THE QUANTITY, LOAD CAPACITY AND SPECIFICATION OF SIDEBOOM, WINCH, CABLE SHALL BE ENGINEERED BY THE CONSTRUCTION CONTRACTOR.
 7. THE CONSTRUCTION SITE ARRANGEMENT IS FOR REFERENCE ONLY. THE ARRANGEMENT SHALL BE DETAILED BY CONSTRUCTION CONTRACTOR.
 8. THE TUG BOAT USED TO TOWAGE THE PIPELINE OR OTHER METHODS SHALL BE DEVELOPED BY CONSTRUCTION CONTRACTOR PRIOR TO PIPELINE CONSTRUCTION AND INSTALLATION.

1	SWG-WPPVE-FEED-70-PL-SPC-0008	-	N/A
NO.	DOCUMENT NUMBER	REV.	SHT.No.

REFERENCED DOCUMENTS			
DATE	WP/PVE	DATE	SWPOC

REV	DATE	DESCRIPTION	PRE'D	CHK'D	APP'D
B1	09/08/17	ISSUED FOR APPROVAL	DXC	KD	VK
A1	04/07/17	ISSUED FOR REVIEW	DXC	KD	VK

CLIENT:
 PETROVIETNAM OIL AND GAS GROUP
 SOUTHWEST PIPELINE OPERATION COMPANY

CONTRACTOR:
WorleyParsons
 CONSORTIUM OF WORLEYPARSONS & PV ENGINEERING

PROJECT:
BLOCK B - O MON GAS PIPELINE

STAGE:
FEED AND COST ESTIMATION UPDATE

TITLE:
TYPICAL CONSTRUCTION SITE DRAWING

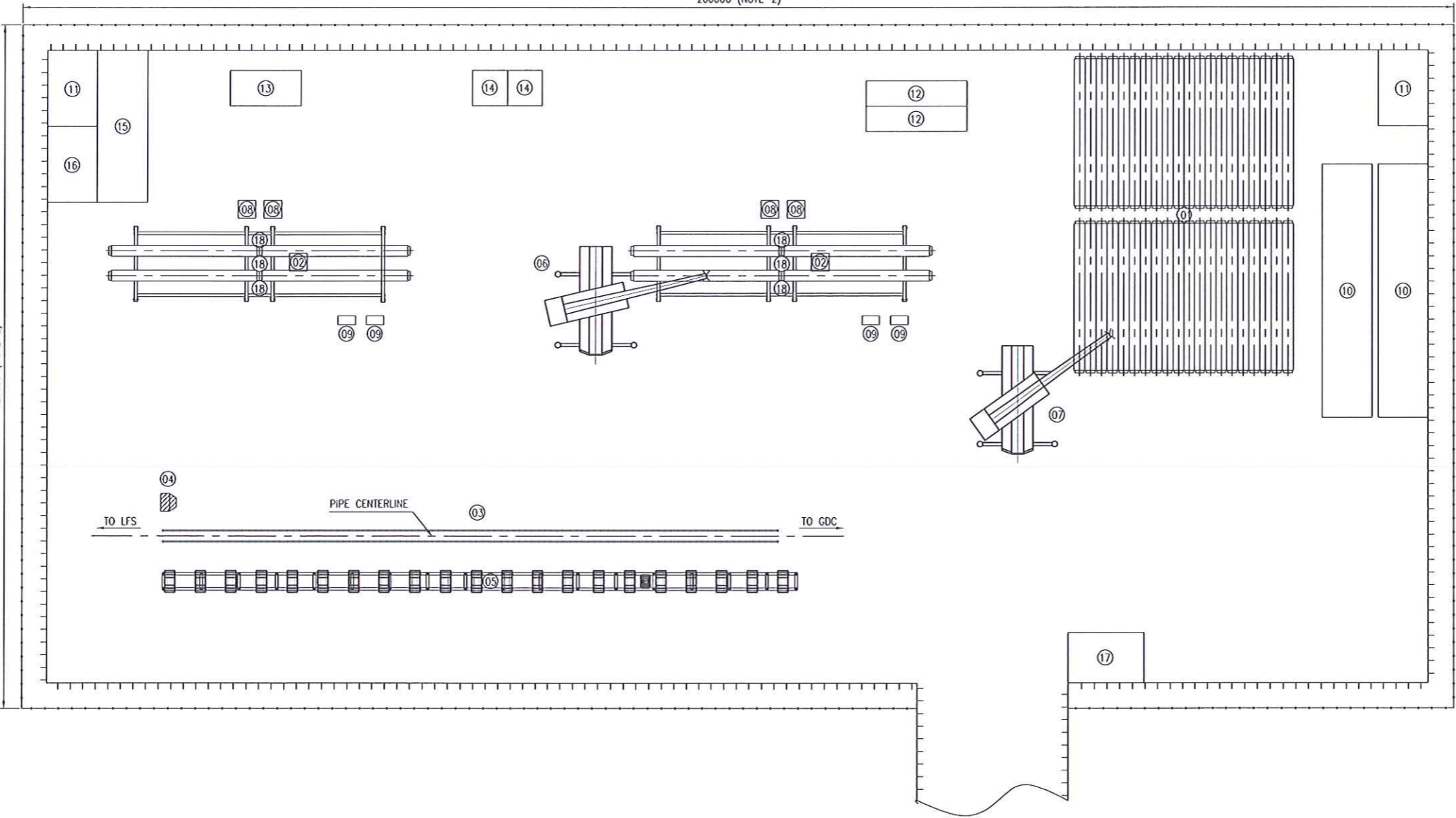
PROJ. CODE	DWG No.	SHEET	REV.
SWG	SWG-WPPVE-FEED-70-PL-SPC-0008	1/5	B1

PV ENGINEERING J.S.C

CONSTRUCTION SITE TYPE 2 - DUAL SITE

200000 (NOTE-2)

120000 (NOTE-2)



ITEM	DESCRIPTION	DIMENSION(METER)	UNIT	QUANTITY	REMARKS
01	PIPE YARD	13.0 X 20.0	PCS	01	
02	COMBINATION BEARER	6.0 X 20.0	PCS	02	
03	RAIL WAY	1.0 X 80.0	PCS	01	
04	WINCH	1.0 X 1.0	PCS	01	
05	BARRELS	0.8 X 0.595	PCS	3,500	
06	CRAWLER CRANE 55T-60T	4.53 X 7.47	PCS	01	
07	CRAWLER CRANE 35T	4.53 X 7.47	PCS	01	
08	WELDING MACHINE 6 BRAZING TONGS	1.8 X 2.4	PCS	04	
09	WELDING MACHINE 1 BRAZING TONG	1.2 X 2.0	PCS	04	

ITEM	DESCRIPTION	DIMENSION(METER)	UNIT	QUANTITY	REMARKS
10	OFFICE CONTAINER	2.4 X 12.0	PCS	02	
11	TOILET	2.4 X 3.0	PCS	02	
12	STORE CONTAINER	2.4 X 6.0	PCS	02	
13	GENERATOR 250 KVA	2.5 X 2.5	PCS	01	
14	CONSUMABLE DRIER	2.0 X 2.0	PCS	02	
15	TENT FOR SHELTERING FROM THE RAIN	4.0 X 12.0	PCS	01	
16	FIRST AID STATION	2.4 X 6.0	PCS	01	
17	GUARD HOUSE	2.0 X 2.0	PCS	01	
18	WELDING HUTCH	3.0 X 3.0	PCS	06	

- NOTES:**
- ALL DIMENSION ARE IN MILLIMETER, UNLESS OTHERWISE SPECIFIED.
 - THIS DRAWING IS PRELIMINARY, THE ONSHORE PIPELINE CONSTRUCTION CONTRACTOR SHALL DEVELOP DETAIL ENGINEERING PRIOR TO COMMENCE PIPELINE CONSTRUCTION AND INSTALLATION.
 - THE CONSTRUCTION CONTRACTOR SHALL PREPARE THE CONSTRUCTION PLAN AND SUBMIT TO EPC CONTRACTOR/ SWPOC FOR REVIEW AND APPROVAL.
 - THIS DRAWING SHALL BE READ IN CONJUNCTION WITH SPECIFICATION FOR ONSHORE PIPELINE CONSTRUCTION (DOC NO.: SWG-WPPVE-FEED-70-PL-SPC-0008).
 - THE PIPE CLAMP IS SHOWN FOR REFERENCE ONLY. THIS ITEM SHALL BE ENGINEERED BY THE PIPELINE CONSTRUCTION CONTRACTOR.
 - THE QUANTITY, LOAD CAPACITY AND SPECIFICATION OF SIDEROOM, WINCH, CABLE SHALL BE ENGINEERED BY THE CONSTRUCTION CONTRACTOR.
 - THE CONSTRUCTION SITE ARRANGEMENT IS FOR REFERENCE ONLY. THE ARRANGEMENT SHALL BE DETAILED BY CONSTRUCTION CONTRACTOR.
 - THE TUG BOAT USED TO TOWAGE THE PIPELINE OR OTHER METHODS SHALL BE DEVELOPED BY CONSTRUCTION CONTRACTOR PRIOR TO PIPELINE CONSTRUCTION AND INSTALLATION.

1	SWG-WPPVE-FEED-70-PL-SPC-0008	-	N/A
NO.	DOCUMENT NUMBER	REV.	SHT.No.

REFERENCED DOCUMENTS					
DATE	WP/PVE	DATE	SWPOC	DATE	CA

REV.	DATE	DESCRIPTION	PRE'D	CHK'D	APP'D
B1	09/08/17	ISSUED FOR APPROVAL	DXC	AK	VK
A1	04/07/17	ISSUED FOR REVIEW	DXC	KD	VK

CLIENT:
PETROVIETNAM OIL AND GAS GROUP
SOUTHWEST PIPELINE OPERATION COMPANY

CONTRACTOR:
WorleyParsons
 resources & energy

CONSORTIUM OF WORLEYPARSONS & PV ENGINEERING

PROJECT:
BLOCK B - O MON GAS PIPELINE

STAGE:
FEED AND COST ESTIMATION UPDATE

TITLE:
TYPICAL CONSTRUCTION SITE DRAWING

PROJ. CODE	DWG No.	SHEET	REV.
SWG	SWG-WPPVE-FEED-70-PL-DRD-0014	2/5	B1

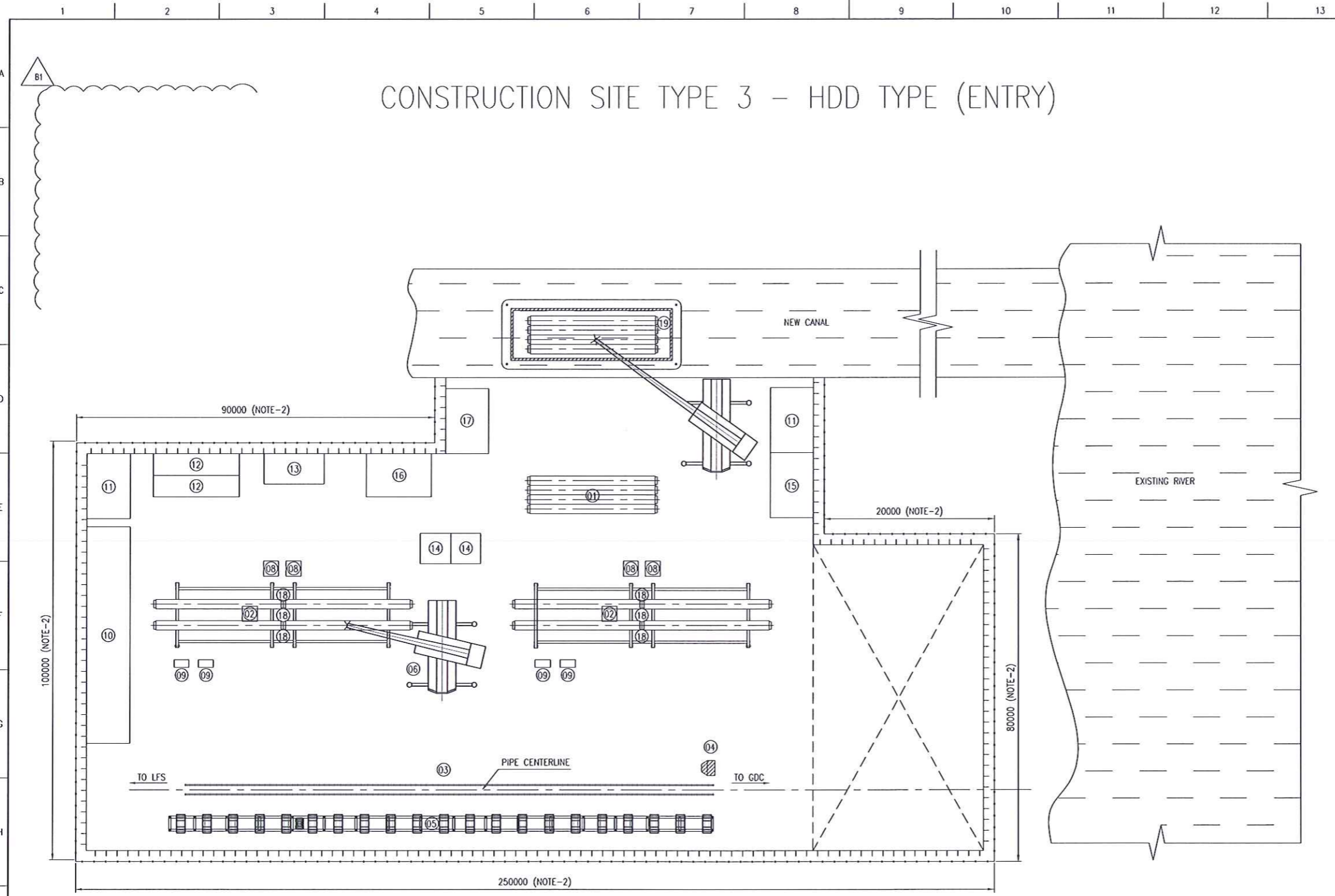
THIS DOCUMENT AND INFORMATION CONTAINED IN IT IS THE PROPERTY OF WP-PVE/ SWPOC AND MAY NOT BE EXPLOITED, USED, COPIED, DUPLICATED OR REPRODUCED IN ANY FORM OR MEDIUM WITHOUT THE PRIOR PERMISSION OF WP-PVE/ SWPOC.

PV ENGINEERING U.S.C

CONSTRUCTION SITE TYPE 3 - HDD TYPE (ENTRY)

- NOTES:**
- ALL DIMENSION ARE IN MILLIMETER, UNLESS OTHERWISE SPECIFIED.
 - THIS DRAWING IS PRELIMINARY, THE ONSHORE PIPELINE CONSTRUCTION CONTRACTOR SHALL DEVELOP DETAIL ENGINEERING PRIOR TO COMMENCE PIPELINE CONSTRUCTION AND INSTALLATION.
 - THE CONSTRUCTION CONTRACTOR SHALL PREPARE THE CONSTRUCTION PLAN AND SUBMIT TO EPC CONTRACTOR/ SWPOC FOR REVIEW AND APPROVAL.
 - THIS DRAWING SHALL BE READ IN CONJUNCTION WITH SPECIFICATION FOR ONSHORE PIPELINE CONSTRUCTION (DOC NO.: SWG-WPPVE-FEED-70-PL-SPC-0008).
 - THE PIPE CLAMP IS SHOWN FOR REFERENCE ONLY. THIS ITEM SHALL BE ENGINEERED BY THE PIPELINE CONSTRUCTION CONTRACTOR.
 - THE QUANTITY, LOAD CAPACITY AND SPECIFICATION OF SIDEBOOM, WINCH, CABLE SHALL BE ENGINEERED BY THE CONSTRUCTION CONTRACTOR.
 - THE CONSTRUCTION SITE ARRANGEMENT IS FOR REFERENCE ONLY. THE ARRANGEMENT SHALL BE DETAILED BY CONSTRUCTION CONTRACTOR.
 - THE TUG BOAT USED TO TOWAGE THE PIPELINE OR OTHER METHODS SHALL BE DEVELOPED BY CONSTRUCTION CONTRACTOR PRIOR TO PIPELINE CONSTRUCTION AND INSTALLATION.

THIS DOCUMENT AND INFORMATION CONTAINED IN IT IS THE PROPERTY OF WP-PVE/ SWPOC AND MAY NOT BE EXPLOITED, USED, COPIED, DUPLICATED OR REPRODUCED IN ANY FORM OR MEDIUM WITHOUT THE PRIOR PERMISSION OF WP-PVE/ SWPOC.



ITEM	DESCRIPTION	DIMENSION(METER)	UNIT	QUANTITY	REMARKS
01	PIPE YARD	13.0 X 20.0	PCS	01	
02	COMBINATION BEARER	6.0 X 20.0	PCS	02	
03	RAIL WAY	1.0 X 80.0	PCS	01	
04	WINCH	1.0 X 1.0	PCS	01	
05	BARRELS	0.8 X 0.595	PCS	3,500	
06	CRAWLER CRANE 55T-60T	4.53 X 7.47	PCS	01	
07	CRAWLER CRANE 35T	4.53 X 7.47	PCS	01	
08	WELDING MACHINE 6 BRAZING TONGS	1.8 X 2.4	PCS	04	
09	WELDING MACHINE 1 BRAZING TONG	1.2 X 2.0	PCS	04	

ITEM	DESCRIPTION	DIMENSION(METER)	UNIT	QUANTITY	REMARKS
10	OFFICE CONTAINER	2.4 X 12.0	PCS	01	
11	TOILET	2.4 X 3.0	PCS	02	
12	STORE CONTAINER	2.4 X 6.0	PCS	02	
13	GENERATOR 250 KVA	2.5 X 2.5	PCS	01	
14	CONSUMABLE DRIER	2.0 X 2.0	PCS	02	
15	TENT FOR SHELTERING FROM THE RAIN	4.0 X 12.0	PCS	01	
16	FIRST AID STATION	2.4 X 6.0	PCS	01	
17	GUARD HOUSE	2.0 X 2.0	PCS	01	
18	WELDING HUTCH	3.0 X 3.0	PCS	06	
19	BARGE	9.0 X 30.6 X 1.8	PCS	01	

NO.	DOCUMENT NUMBER	REV.	SHT.No.
1	SWG-WPPVE-FEED-70-PL-SPC-0008	-	N/A

REFERENCED DOCUMENTS					
DATE	WP/PVE	DATE	SWPOC	DATE	CA

REV.	DATE	DESCRIPTION	PRE'D	CHK'D	APP'D
B1	09/08/17	ISSUED FOR APPROVAL	DXC	AKD	YK
A1	04/07/17	ISSUED FOR REVIEW	DXC	AKD	YK

CLIENT:
PETROVIETNAM OIL AND GAS GROUP
SOUTHWEST PIPELINE OPERATION COMPANY

CONTRACTOR:
WorleyParsons
 resources & energy
CONSORTIUM OF WORLEYPARSONS & PV ENGINEERING

PROJECT:
BLOCK B - O MON GAS PIPELINE

STAGE:
FEED AND COST ESTIMATION UPDATE

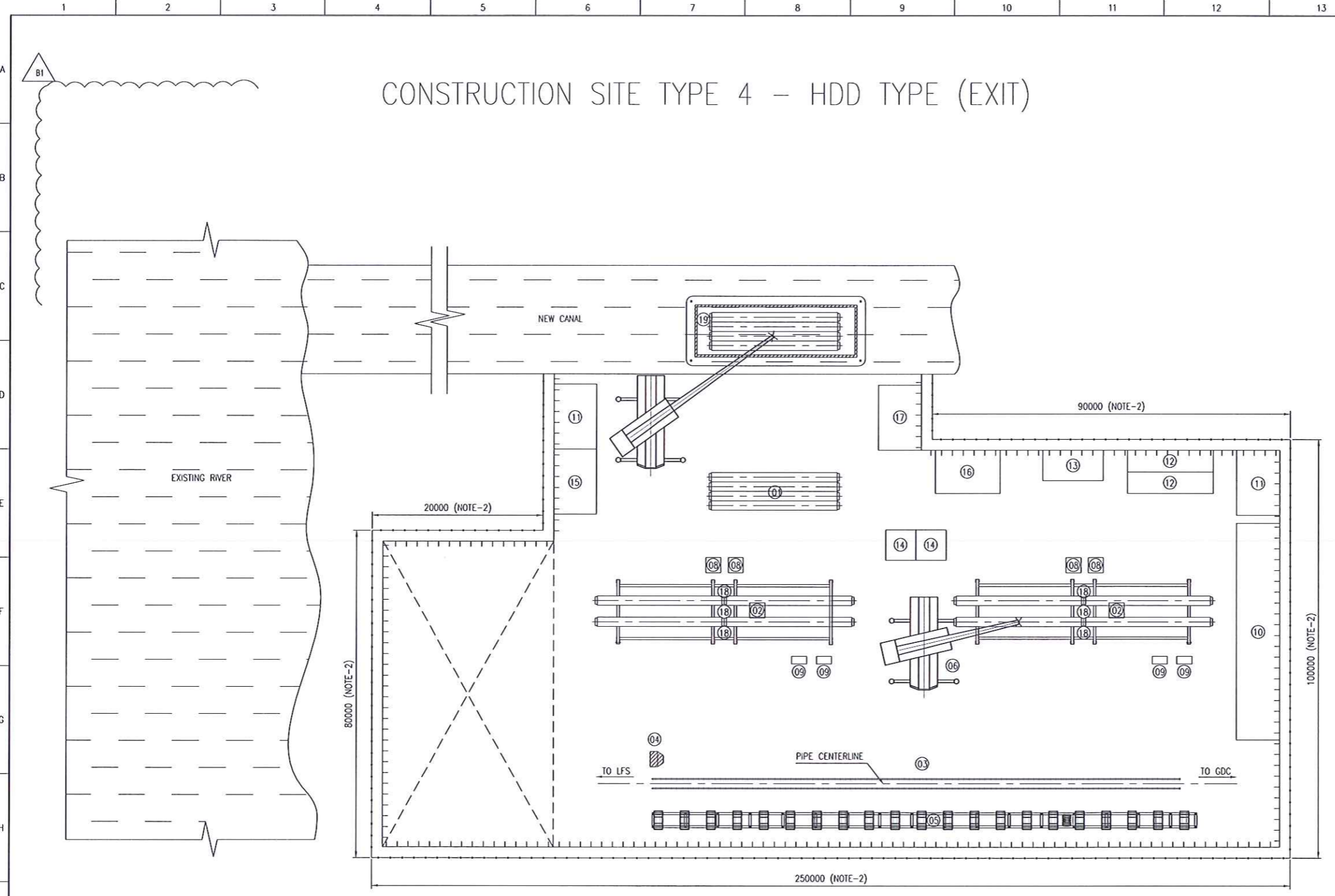
TITLE:
TYPICAL CONSTRUCTION SITE DRAWING

PROJ. CODE	DWG No.	SHEET	REV.
SWG	SWG-WPPVE-FEED-70-PL-DRD-0014	3/5	B1

CONSTRUCTION SITE TYPE 4 - HDD TYPE (EXIT)

- NOTES:**
1. ALL DIMENSION ARE IN MILLIMETER, UNLESS OTHERWISE SPECIFIED.
 2. THIS DRAWING IS PRELIMINARY, THE ONSHORE PIPELINE CONSTRUCTION CONTRACTOR SHALL DEVELOP DETAIL ENGINEERING PRIOR TO COMMENCE PIPELINE CONSTRUCTION AND INSTALLATION.
 3. THE CONSTRUCTION CONTRACTOR SHALL PREPARE THE CONSTRUCTION PLAN AND SUBMIT TO EPC CONTRACTOR/ SWPOC FOR REVIEW AND APPROVAL.
 4. THIS DRAWING SHALL BE READ IN CONJUNCTION WITH SPECIFICATION FOR ONSHORE PIPELINE CONSTRUCTION (DOC NO.: SWG-WPPVE-FEED-70-PL-SPC-0008).
 5. THE PIPE CLAMP IS SHOWN FOR REFERENCE ONLY. THIS ITEM SHALL BE ENGINEERED BY THE PIPELINE CONSTRUCTION CONTRACTOR.
 6. THE QUANTITY, LOAD CAPACITY AND SPECIFICATION OF SIDEBOOM, WINCH, CABLE SHALL BE ENGINEERED BY THE CONSTRUCTION CONTRACTOR.
 7. THE CONSTRUCTION SITE ARRANGEMENT IS FOR REFERENCE ONLY. THE ARRANGEMENT SHALL BE DETAILED BY CONSTRUCTION CONTRACTOR.
 8. THE TUG BOAT USED TO TOWAGE THE PIPELINE OR OTHER METHODS SHALL BE DEVELOPED BY CONSTRUCTION CONTRACTOR PRIOR TO PIPELINE CONSTRUCTION AND INSTALLATION.

THIS DOCUMENT AND INFORMATION CONTAINED IN IT IS THE PROPERTY OF WP-PVE/ SWPOC AND MAY NOT BE EXPLOITED, USED, COPIED, DUPLICATED OR REPRODUCED IN ANY FORM OR MEDIUM WITHOUT THE PRIOR PERMISSION OF WP-PVE/ SWPOC.



ITEM	DESCRIPTION	DIMENSION(METER)	UNIT	QUANTITY	REMARKS
01	PIPE YARD	13.0 X 20.0	PCS	01	
02	COMBINATION BEARER	6.0 X 20.0	PCS	02	
03	RAIL WAY	1.0 X 80.0	PCS	01	
04	WINCH	1.0 X 1.0	PCS	01	
05	BARRELS	0.8 X 0.595	PCS	3,500	
06	CRAWLER CRANE 55T-60T	4.53 X 7.47	PCS	01	
07	CRAWLER CRANE 35T	4.53 X 7.47	PCS	01	
08	WELDING MACHINE 6 BRAZING TONGS	1.8 X 2.4	PCS	04	
09	WELDING MACHINE 1 BRAZING TONG	1.2 X 2.0	PCS	04	

ITEM	DESCRIPTION	DIMENSION(METER)	UNIT	QUANTITY	REMARKS
10	OFFICE CONTAINER	2.4 X 12.0	PCS	01	
11	TOILET	2.4 X 3.0	PCS	02	
12	STORE CONTAINER	2.4 X 6.0	PCS	02	
13	GENERATOR 250 KVA	2.5 X 2.5	PCS	01	
14	CONSUMABLE DRIER	2.0 X 2.0	PCS	02	
15	TENT FOR SHELTERING FROM THE RAIN	4.0 X 12.0	PCS	01	
16	FIRST AID STATION	2.4 X 6.0	PCS	01	
17	GUARD HOUSE	2.0 X 2.0	PCS	01	
18	WELDING HUTCH	3.0 X 3.0	PCS	06	
19	BARGE	9.0 X 30.6 X 1.8	PCS	01	

1 SWG-WPPVE-FEED-70-PL-SPC-0008		- N/A	
NO.	DOCUMENT NUMBER	REV.	SHT.No
REFERENCED DOCUMENTS			
DATE	DATE	DATE	DATE
WP/PVE	SWPOC	CA	
CLIENT:			
PETROVIETNAM OIL AND GAS GROUP SOUTHWEST PIPELINE OPERATION COMPANY			
CONTRACTOR:			
WorleyParsons resources & energy CONSORTIUM OF WORLEYPARSONS & PV ENGINEERING			
PROJECT:			
BLOCK B - O MON GAS PIPELINE			
STAGE:			
FEED AND COST ESTIMATION UPDATE			
TITLE:			
TYPICAL CONSTRUCTION SITE DRAWING			
PROJ. CODE	DWG No.	SHEET	REV.
SWG	SWG-WPPVE-FEED-70-PL-ORD-0014	4/5	B1

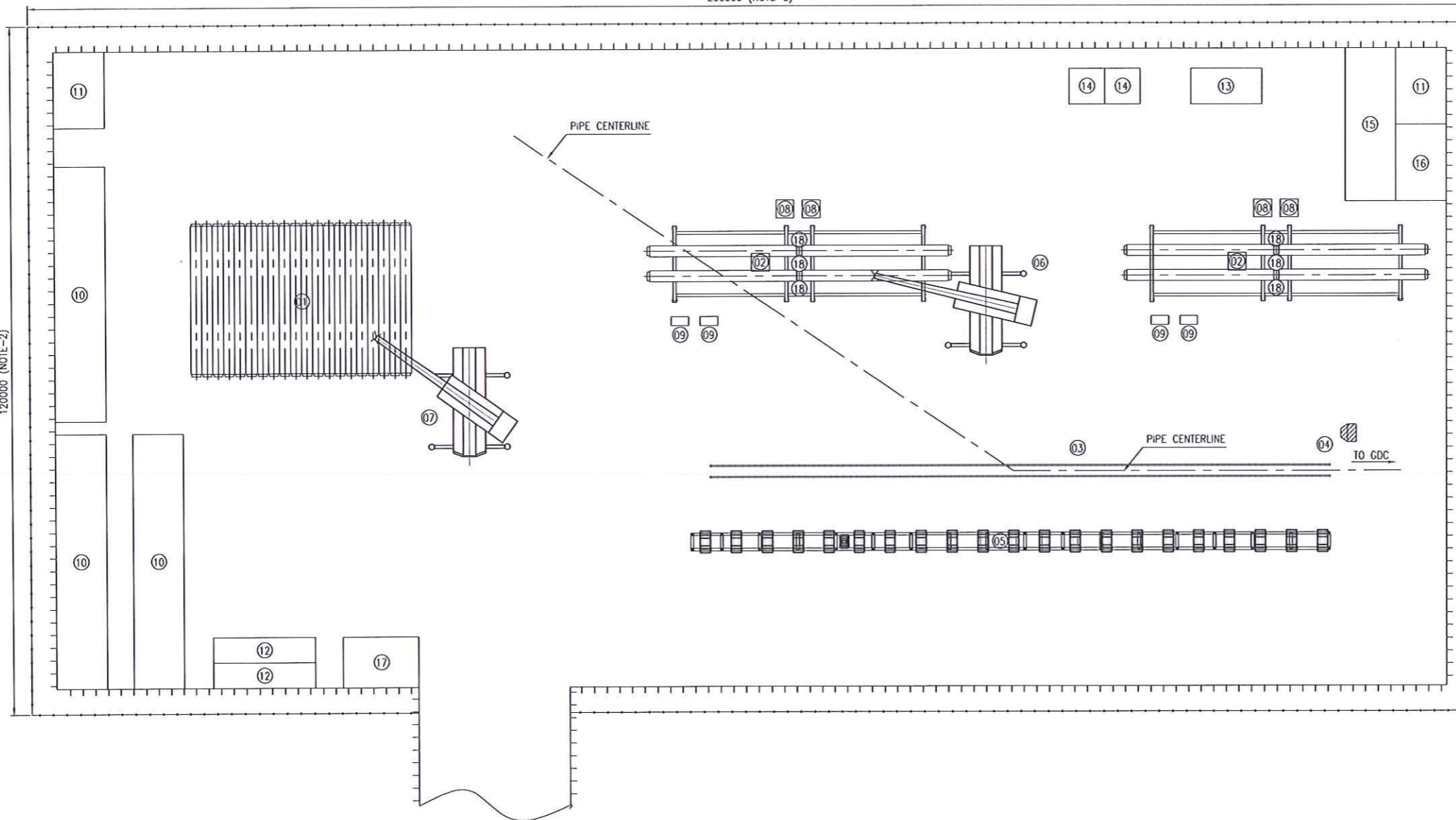
PV ENGINEERING J.S.C

THIS DOCUMENT AND INFORMATION CONTAINED IN IT IS THE PROPERTY OF WP-PVE/ SWPOC AND MAY NOT BE EXPLOITED, USED, COPIED, DUPLICATED OR REPRODUCED IN ANY FORM OR MEDIUM WITHOUT THE PRIOR PERMISSION OF WP-PVE/ SWPOC.

CONSTRUCTION SITE TYPE 5 - BEND TYPE

200000 (NOTE-2)

120000 (NOTE-2)



ITEM	DESCRIPTION	DIMENSION(METER)	UNIT	QUANTITY	REMARKS
01	PIPE YARD	13.0 X 20.0	PCS	01	
02	COMBINATION BEARER	6.0 X 20.0	PCS	02	
03	RAIL WAY	1.0 X 80.0	PCS	01	
04	WINCH	1.0 X 1.0	PCS	01	
05	BARRELS	0.8 X 0.595	PCS	3,500	
06	CRAWLER CRANE 55T-60T	4.53 X 7.47	PCS	01	
07	CRAWLER CRANE 35T	4.53 X 7.47	PCS	01	
08	WELDING MACHINE 6 BRAZING TONGS	1.8 X 2.4	PCS	04	
09	WELDING MACHINE 1 BRAZING TONG	1.2 X 2.0	PCS	04	

ITEM	DESCRIPTION	DIMENSION(METER)	UNIT	QUANTITY	REMARKS
10	OFFICE CONTAINER	2.4 X 12.0	PCS	03	
11	TOILET	2.4 X 3.0	PCS	02	
12	STORE CONTAINER	2.4 X 6.0	PCS	02	
13	GENERATOR 250 KVA	2.5 X 2.5	PCS	01	
14	CONSUMABLE DRIER	2.0 X 2.0	PCS	02	
15	TENT FOR SHELTERING FROM THE RAIN	4.0 X 12.0	PCS	01	
16	FIRST AID STATION	2.4 X 6.0	PCS	01	
17	GUARD HOUSE	2.0 X 2.0	PCS	01	
18	WELDING HUTCH	3.0 X 3.0	PCS	06	

- NOTES:**
- ALL DIMENSION ARE IN MILLIMETER, UNLESS OTHERWISE SPECIFIED.
 - THIS DRAWING IS PRELIMINARY, THE ONSHORE PIPELINE CONSTRUCTION CONTRACTOR SHALL DEVELOP DETAIL ENGINEERING PRIOR TO COMMENCE PIPELINE CONSTRUCTION AND INSTALLATION.
 - THE CONSTRUCTION CONTRACTOR SHALL PREPARE THE CONSTRUCTION PLAN AND SUBMIT TO EPC CONTRACTOR/ SWPOC FOR REVIEW AND APPROVAL.
 - THIS DRAWING SHALL BE READ IN CONJUNCTION WITH SPECIFICATION FOR ONSHORE PIPELINE CONSTRUCTION (DOC NO.: SWG-WPPVE-FEED-70-PL-SPC-0008).
 - THE PIPE CLAMP IS SHOWN FOR REFERENCE ONLY. THIS ITEM SHALL BE ENGINEERED BY THE PIPELINE CONSTRUCTION CONTRACTOR.
 - THE QUANTITY, LOAD CAPACITY AND SPECIFICATION OF SIDEROOM, WINCH, CABLE SHALL BE ENGINEERED BY THE CONSTRUCTION CONTRACTOR.
 - THE CONSTRUCTION SITE ARRANGEMENT IS FOR REFERENCE ONLY. THE ARRANGEMENT SHALL BE DETAILED BY CONSTRUCTION CONTRACTOR.
 - THE TUG BOAT USED TO TOWAGE THE PIPELINE OR OTHER METHODS SHALL BE DEVELOPED BY CONSTRUCTION CONTRACTOR PRIOR TO PIPELINE CONSTRUCTION AND INSTALLATION.

1 SWG-WPPVE-FEED-70-PL-SPC-0008		-	N/A															
NO.	DOCUMENT NUMBER	REV.	SHT.No.															
REFERENCED DOCUMENTS																		
DATE	DATE	DATE																
WP/PVE	SWPOC	CA																
<table border="1"> <tr> <td>DATE</td> <td>DESCRIPTION</td> <td>PRE'D</td> <td>CHK'D</td> <td>APP'D</td> </tr> <tr> <td>09/08/17</td> <td>ISSUED FOR APPROVAL</td> <td>DXC</td> <td>KD</td> <td>VK</td> </tr> <tr> <td>04/07/17</td> <td>ISSUED FOR REVIEW</td> <td>DXC</td> <td>KD</td> <td>VK</td> </tr> </table>				DATE	DESCRIPTION	PRE'D	CHK'D	APP'D	09/08/17	ISSUED FOR APPROVAL	DXC	KD	VK	04/07/17	ISSUED FOR REVIEW	DXC	KD	VK
DATE	DESCRIPTION	PRE'D	CHK'D	APP'D														
09/08/17	ISSUED FOR APPROVAL	DXC	KD	VK														
04/07/17	ISSUED FOR REVIEW	DXC	KD	VK														
CLIENT: PETROVIETNAM OIL AND GAS GROUP SOUTHWEST PIPELINE OPERATION COMPANY																		
CONTRACTOR: CONSORTIUM OF WORLEYPARSONS & PV ENGINEERING																		
PROJECT: BLOCK B - O MON GAS PIPELINE																		
STAGE: FEED AND COST ESTIMATION UPDATE																		
TITLE: TYPICAL CONSTRUCTION SITE DRAWING																		
PROJ. CODE	DWG No.	SHEET	REV.															
SWG	SWG-WPPVE-FEED-70-PL-DRD-0014	5/5	B1															

PV ENGINEERING J.S.C